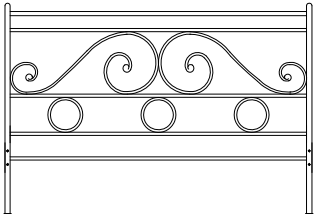
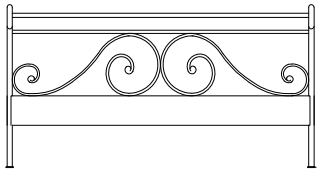
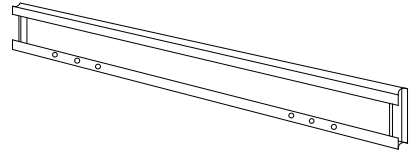
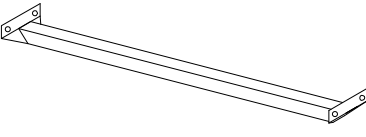

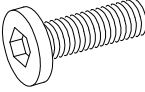
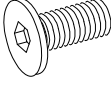
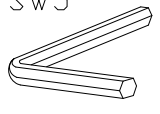
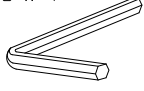


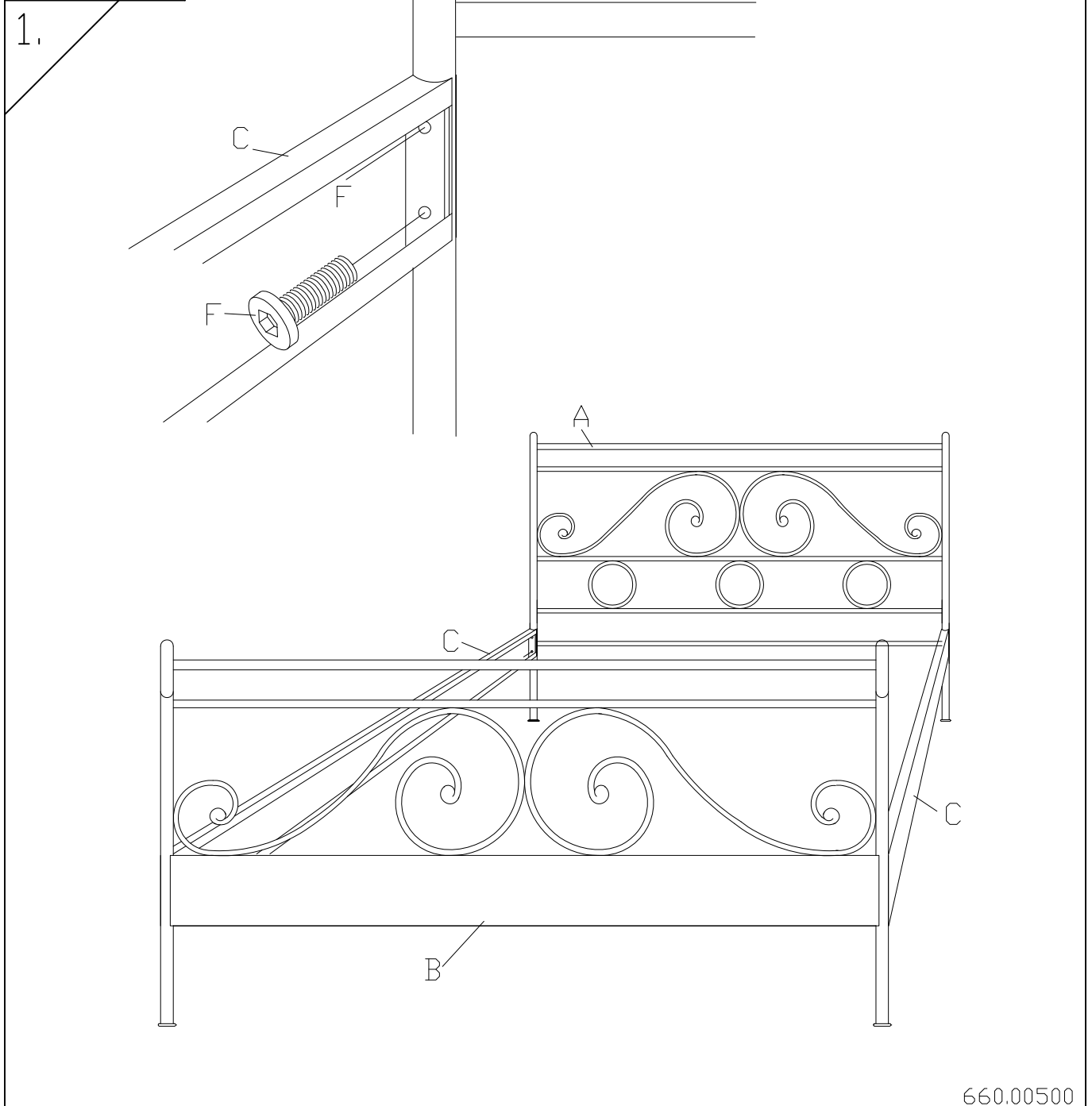
<p>A x1</p> 	<p>B x1</p> 	<p>C x2</p> 		
<p>D x2</p> 	<p>E x2</p> 	<p>F x10</p>  <p>629.00034</p>	<p>G x8</p>  <p>629.00035</p>	<p>H x1</p> <p>SW5</p>  <p>631.10000</p>

J x1

SW4



631.10100



2.

