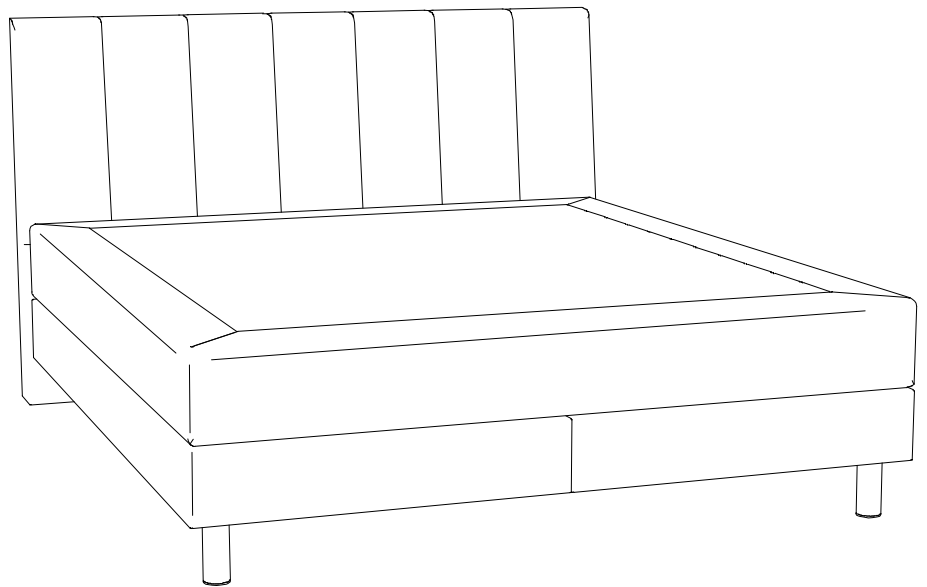
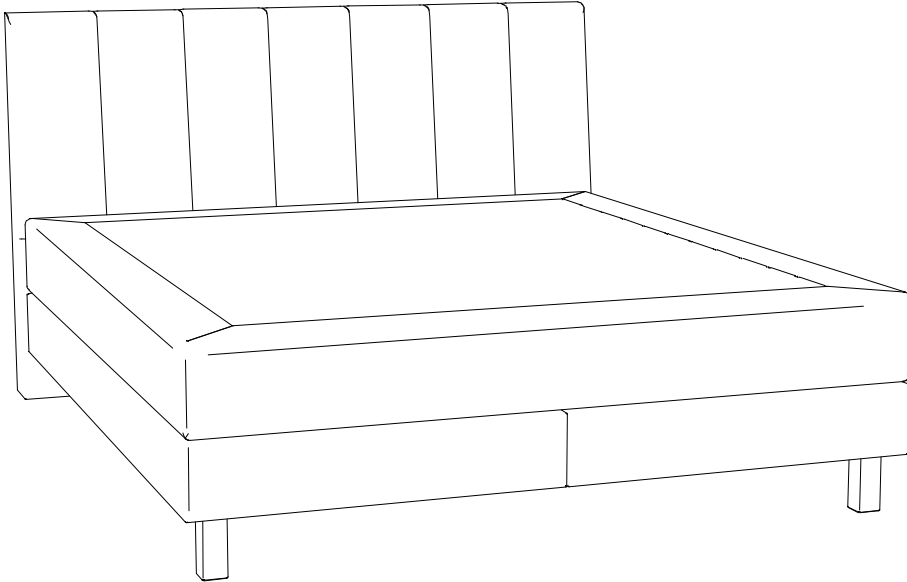
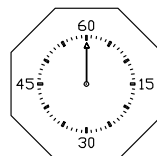
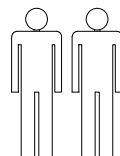
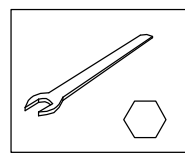
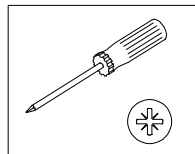
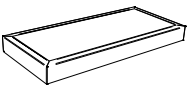
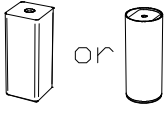
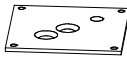
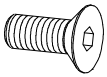
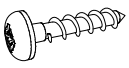



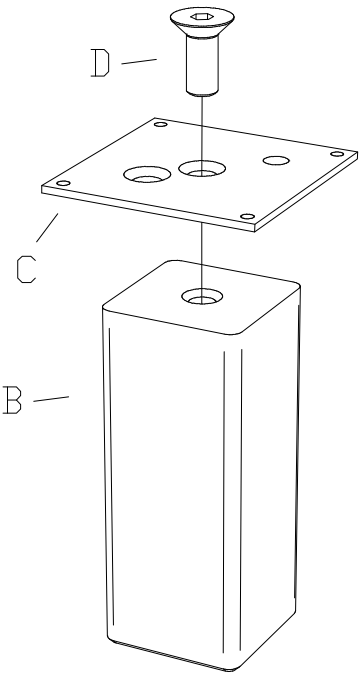
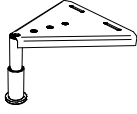
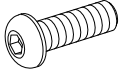


Reina & Donna

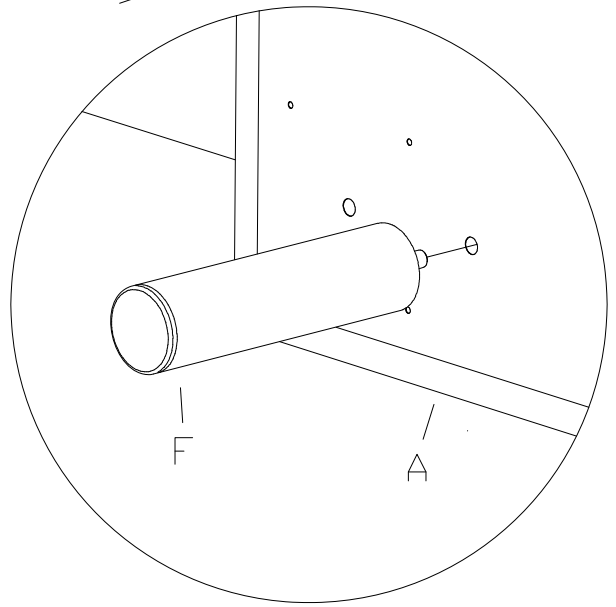
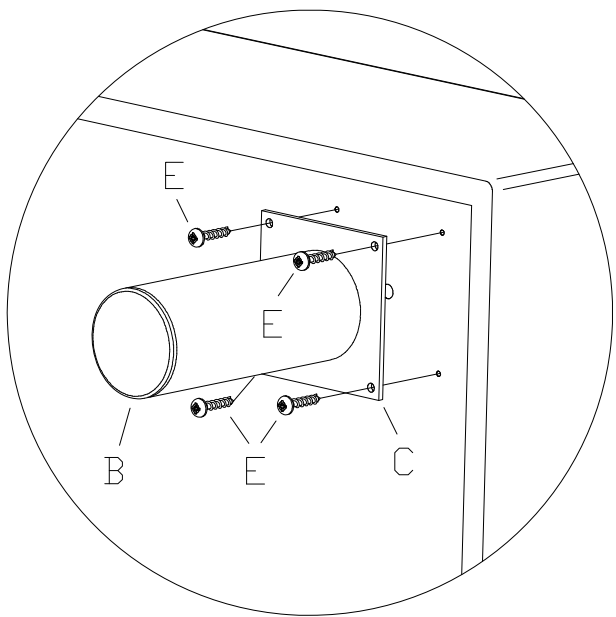
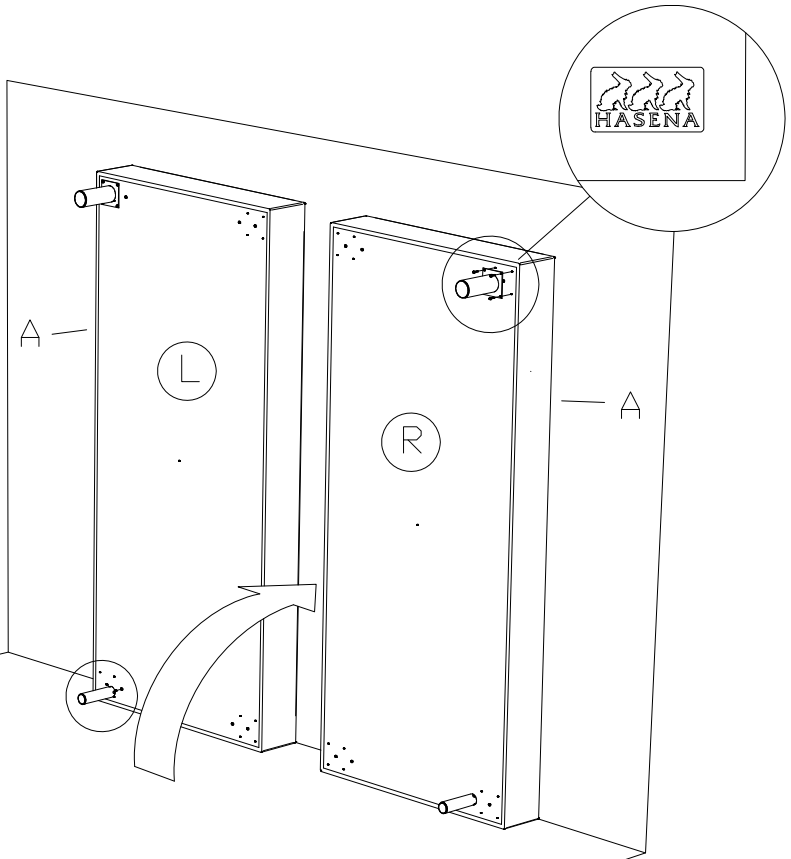


Benötigte Werkzeuge – Outils Nécessaires – Tools Required – Attrezzi Necessari

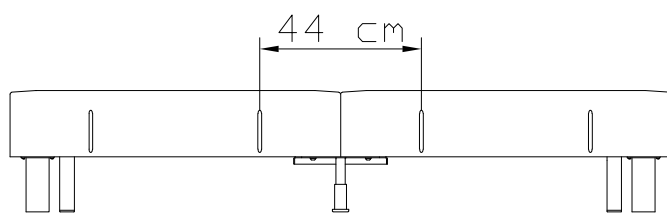
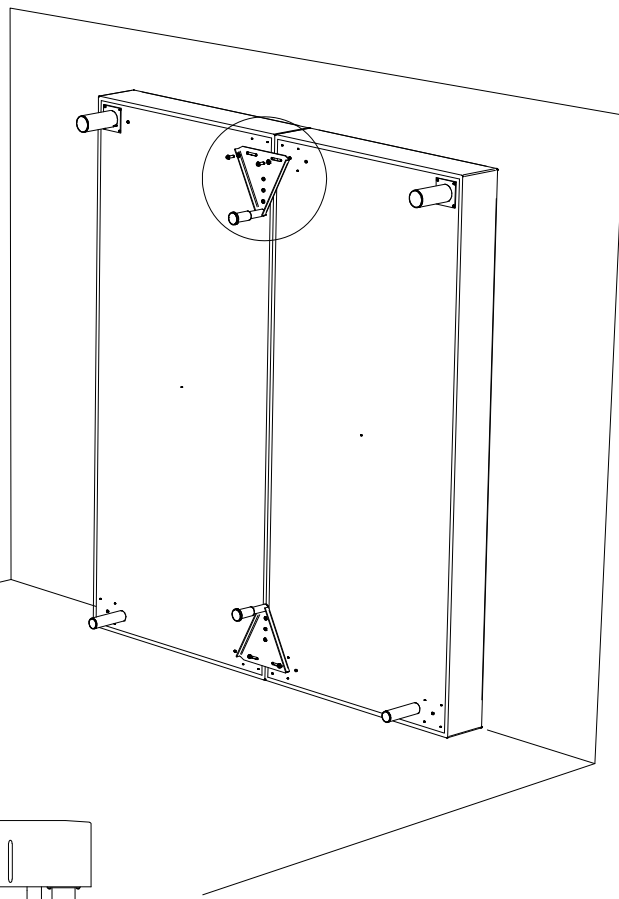
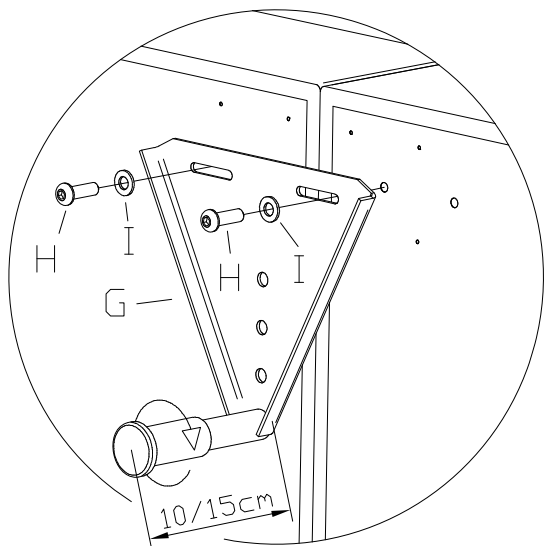


<p>A x2</p>  <p>L & R</p>	<p>B x2</p>  <p>or</p>	<p>C x2</p>  <p>630.092</p>	<p>D x2</p> <p>M8x20</p>  <p>631.872</p>	<p>E x8</p> <p>Ø4x20</p>  <p>631.30200</p>	<p>F x2</p>  <p>1420.000x</p>
--	---	--	---	---	--

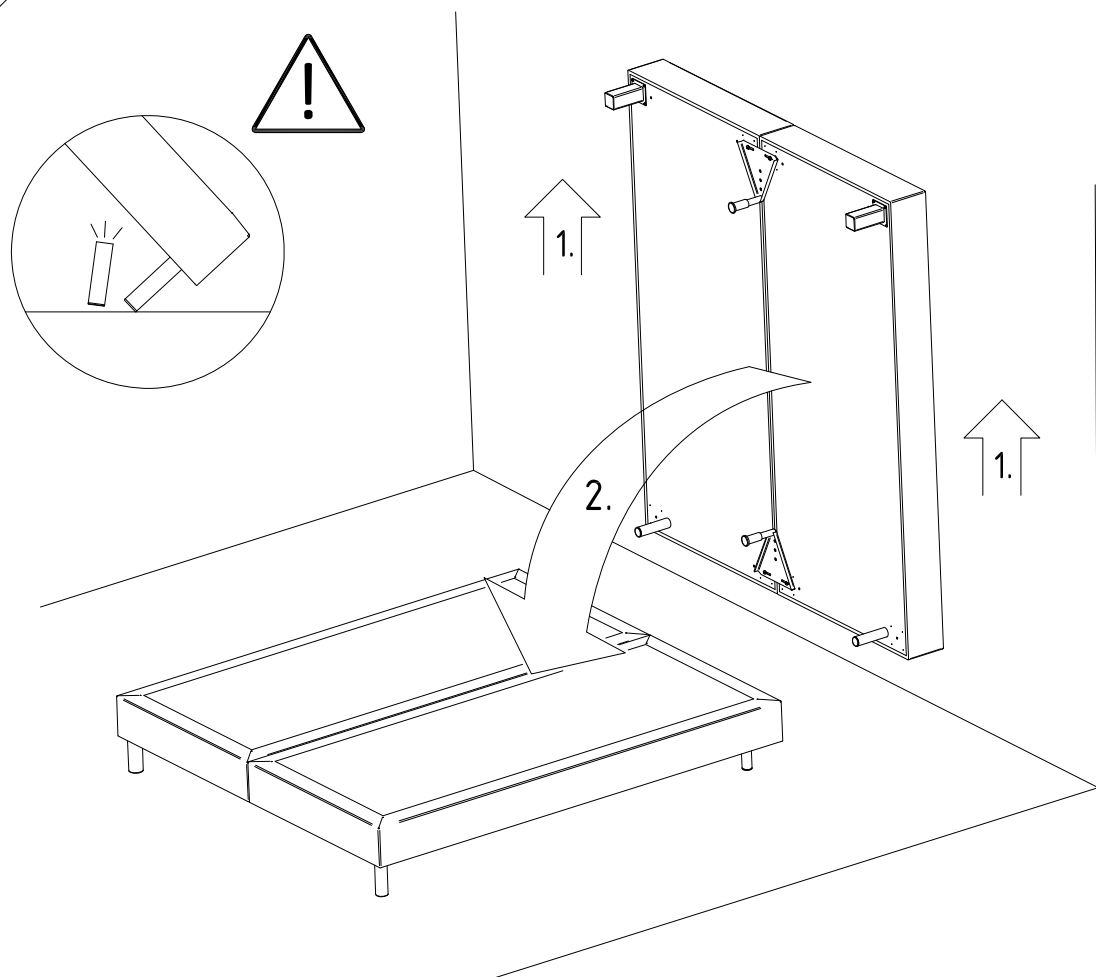
<p>1.</p> 	<p>G x2</p>  <p>790.02512</p>	<p>H x4</p> <p>M8x25</p>  <p>631.10700</p>	<p>I x4</p>  <p>631.402</p>	<p>Z x1</p>  <p>631.10000</p>
--	--	---	--	--



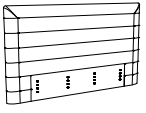
2.



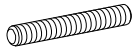
3.



K x1

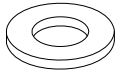


L x8
M8x60



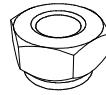
631.01500

I x8



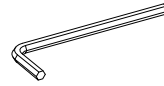
631.402

M x8



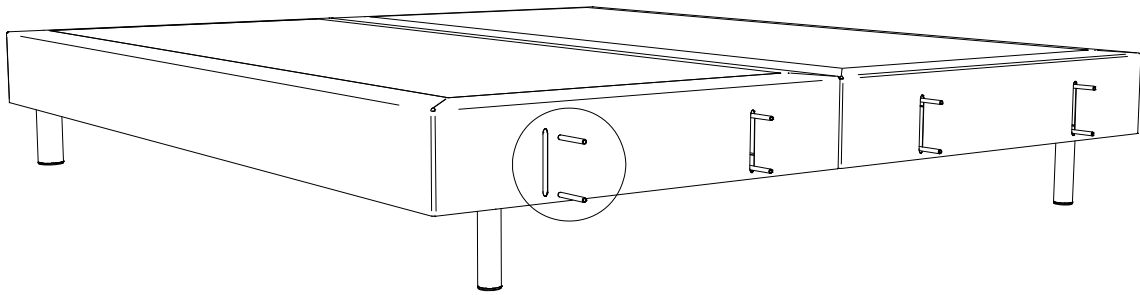
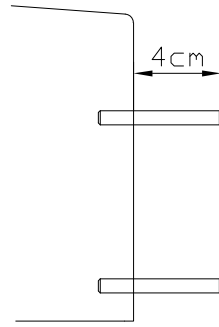
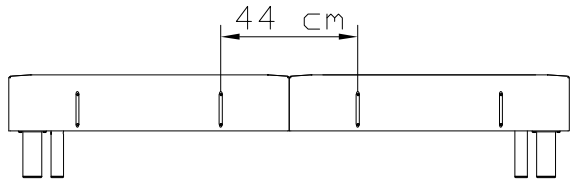
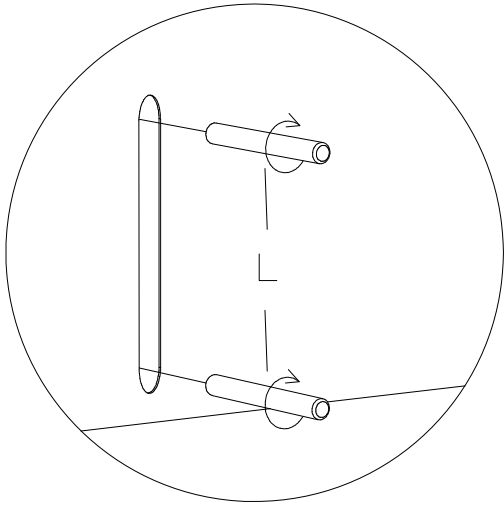
631.62100

Z x1

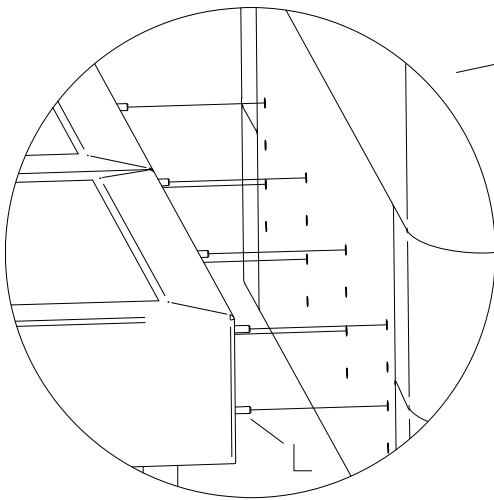


631.10000

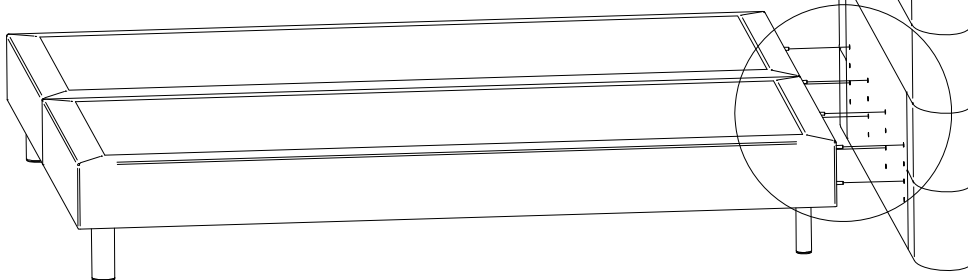
4.



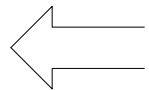
5.



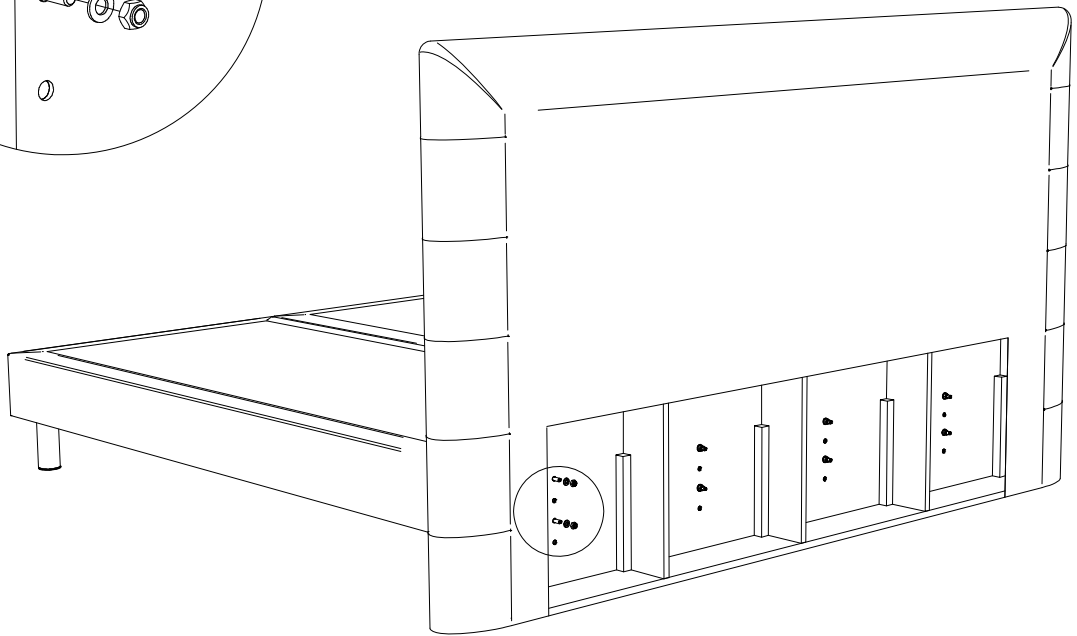
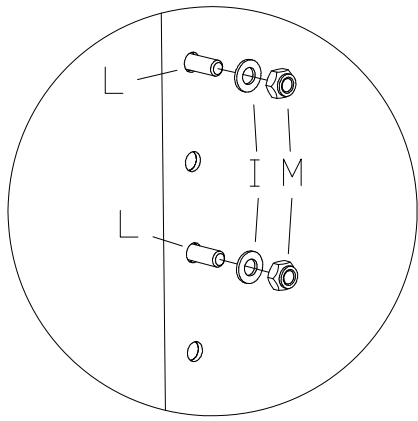
K



K



6.



7.

